



ERIKSON INDUSTRIES



CLIENT FOCUS



TECHNICAL SUPPORT



QUALITY MANUFACTURING



EXPERT SOLUTION



SHOCK PROOF

CATALOGUE



ABOUT ERIKSON INDUSTRIES

ERIKSON Rotary & Cam Switches are designed and engineered especially to meet the requirement of latest concepts in switching technology.

Erikson switches are guaranteed for optimum performance and meet the most arduous industrial applications. Erikson Rotary Cam switches are assembled using packet principal giving choice of multiposition and multi-pole circuits.

WE NEVER DREAMED ABOUT SUCCESS, WE WORKED FOR IT.

ERIKSON INDUSTRIES

126, 1st Floor, Bharat Industrial Estate,
Beside Mayuresh Srishti Apt., L.B.S. Road,
Bhandup (West), Mumbai - 400078,
Maharashtra, India.

CONTACT US

+91 99202 90390
+91 98209 52826
eriksonindustries@gmail.com
www.eriksonindustries.com

ERIKSON ROTARY SWITCHES



ERIKSON
INDUSTRIES



Erikson Rotary switches are rugged in construction and are designed, engineered especially to meet the requirement of various industrial applications. Erikson switches are guaranteed for optimum performance and meet the most arduous industrial applications. They are assembled using packet principal giving choice of multi-position and multi-pole circuits. Erikson Rotary switches incorporate air break concept of wiping contacts in rotary action. These switches designed to operate for 'ON LOAD' switching of resistive and inductive loads. In addition to the above the switches discs are moulded from anti cracking thermosetting plastics and the contacts, stationary as well as moving are manufactured from non-ferrous material. Erikson rotary switches are also available in Nylon 66 discs as some applications specify the nylon discs.

SWITCH RANGE

Erikson Rotary Switches are manufactured to operate at the operational voltage level of 250 V or for 440 V AC supply Erikson Rotary Switches range is described in following table for easy understanding:

Switching Position	Switch Range In Terms of Current Rating
4-Position-90	10, 16, 25, 32, 40, 60, 100 Amps AC
6-Position-60	10, 16, 25, 32, 40, 60 Amps AC
8-Position-45	10, 16, 25, 32, 40, 60 Amps AC
Reverse Forward Switch	16 Amp AC

Switches for DC supply are also readily offered against specific requirements.

OPERATING PRINCIPAL

Erikson Rotary Switches manufacturing process is based on two design principals.

- 'Quick make Slow Break' for AC switching
- 'Quick Make Quick Break' for AC and DC switching action, independent of operator action.

SPECIFICATIONS

Rotary Switches comply with IS 13947-Part III.
Switches are tested at V.J.T.I, Mumbai and with C.P.R.I, Bhopal.

HIGH VOLTAGE TEST

Rotary Cam switches withstand high voltage test of 2.5 KV for one minute. These tests are carried out between phase and earth, and also between the terminals when switch is in off position.

TEMPERATURE TEST

Rotary Cam switches are suitable and recommended to use for various applications where ambient temperature range is up to 55 C.

MECHANICAL LIFE

Mechanical life of the switches is over one million operations.

MOUNTING ARRANGEMENT

Rotary Switches are supplied with the following standard mounting positions-

- Flush at the front of panel
- Flush at the back of panel (base mounting)
- Universal Mounting - Base and Panel mounting

ACCESSORIES

Rotary Switches are supplied in open execution. However, 25, 32 Amp and motor control four disc switches can be supplied in sheet steel enclosure on specific request. Rotary Switches are available with Knob and Indicating plate as a standard. Apart from these, wide ranges of accessories are also available on request.

APPLICATIONS

Rotary Cam Switches are used for various industrial applications including general industrial use. The applications involving Instrumentations, Control Gear, Telecommunication, Power and Process Control are the main users of the rotary cam switches. The switch has a great utility presence in construction equipments, mixers and in coolant pumps segment.

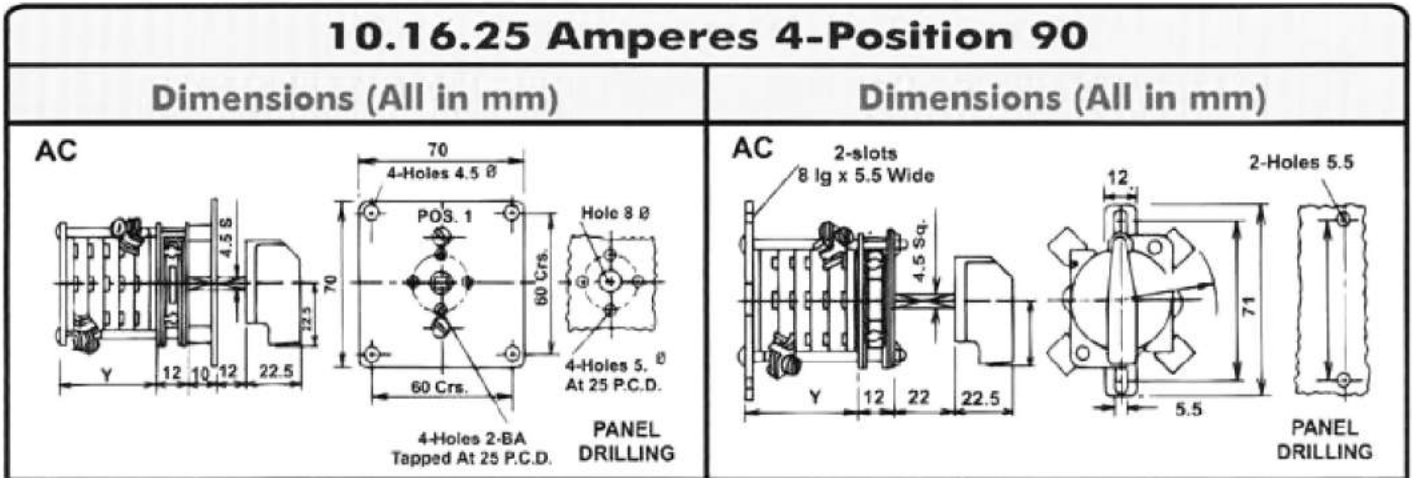
SPECIAL FEATURES

Erikson Rotary Switches offer various design alternatives and flexibilities to make complex switching operation looks simple and possible. Erikson Industry also offer various mechanisms like 'Spring Return To Neutral (Reversible Mechanism)' or 'Make Before Break Contacts' against specific requirements.

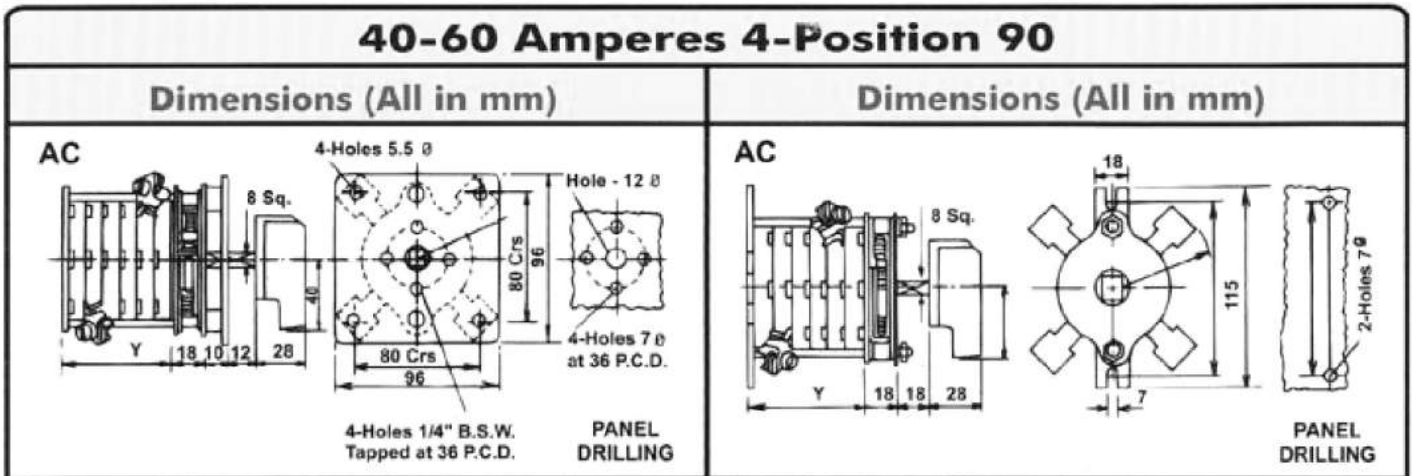
ERIKSON ROTARY SWITCHES

Dimensions (All in mm)

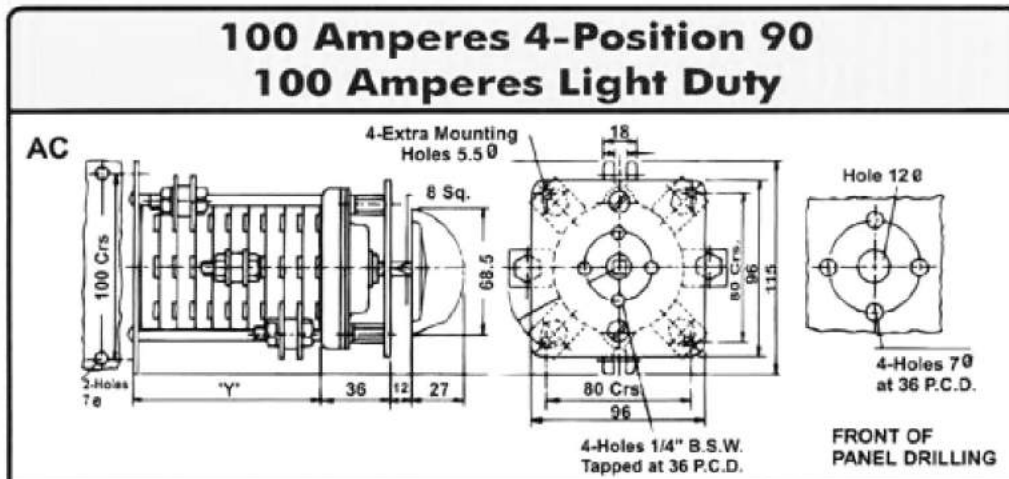
10.16.25 Amperes 4-Position 90



40-60 Amperes 4-Position 90



100 Amperes 4-Position 90 100 Amperes Light Duty



Manufactured By : ERIKSON INDUSTRIES
 126, 1st Floor, Bharat Industrial Estate, Beside Mayuresh
 Srishti Apt., L.B.S. Road, Bhandup (West),
 Mumbai - 400078, Maharashtra, India.

Authorised Stockist